

Symposium

WERKWELL

(re)building with Resilience

Powered by:

ennead

BURO HAPPOLD

SWINERTON 

COEN + PARTNERS

Foster + Partners

Halton

- 8:00 AM Networking & Coffee Break
- 9:00 AM Welcome and Introduction
- 9:15 AM Panel: The Challenges of Recovery
- 10:00 AM Company Presentation: Steadfast LA
- 10:15 AM Panel: Infrastructure Solutions
- 11:00 AM Company Presentation: Ennead
- 11:15 AM Panel: Designing for Resilience
- 12:00 PM Company Presentation - Halton

1:15 PM Fire Hydrant Chat: Lessons Learned

2:00 PM Company Presentation

2:15 PM Panel: Addressing the Financial Gap

3:00 PM Company Presentation

3:15 PM Panel: Building a Systems-based Framework

4:20 PM Closing Remarks

4:30 PM NETWORKING COCKTAIL HOUR

Symposium (re)building with Resilience

WERKWELL

Sponsors & Speakers

STEADFAST LA



KAVANÂ

Community Electricity.io

Green Vista Corporation

AUX ARCHITECTURE

azure printed homes



Halton



DLA PIPER

plant PREFAB



BURO HAPPOLD

ennead



BUILDGROUF

COEN + PARTNERS

Foster + Partners



CHA:COL

THE FOOTHILL CATALOG FOUNDATION

AFTER THE FIRE RECOVER. REBUILD. REIMAGINE.

Symposium

WERKWELL



(re)Building with Resilience

May 20th, 2025

A disaster of the scale of the January 2025 LA fires presents wide ranging challenges from coordination of debris removal and underinsured homeowners required to make tough decisions about when and whether to re-build to large scale infrastructure challenge. At the same time, there is an opportunity to build differently, to create a holistic and systems-based approach to re-think spaces and explore regulatory changes that improve resiliency at a community level.

Powered by:

ennead

BURO HAPPOLD

SWINERTON 

COEN + PARTNERS

Foster + Partners

Halton

AM Program

8:00 AM Networking & Coffee Break

9:00 AM Welcome and Introduction

9:15 AM **Panel:** The Challenges of Recovery

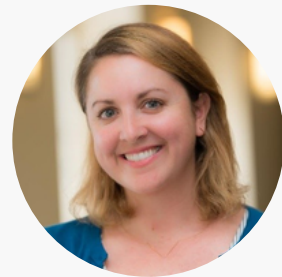
10:00 AM **Company Presentation:** Steadfast LA

10:15 AM **Panel:** Infrastructure Solutions

11:00 AM **Company Presentation:** Ennead

11:15 AM **Panel:** Designing for Resilience

12:00 PM **Company Presentation:** Halton



Sabrina Bornstein
Introduction and Special Thanks
Buro Happold

BURO HAPPOLD



Jennifer Koster
CEO
WerkWell

WERKWE^{LL}



Azrya Bequer
Co-Founder
Kavana

KAVANÂ

Welcome

Greetings and Introduction

15 Minutes

Introduction and Special Thanks
Welcome Address and Program Overview

09:00 – 09:15 AM

May 20th, 2025

[Visit Event page](#)



Moderator: Jennifer Koster
CEO
WerkWell



Jorge Gurrola
Owner
JG Demolition



Julie Wojnowski
Partner, ESG & Sustainability
Citadel EHS



Rita Ciolek
HOA & Owner
Tahitian Terrace



Jim Butcher
CEO
Global BioCarbons



Apurva Pande
Partner & Homeowner
CHA:COL



Panel

The Challenges of Recovery

40 Minutes/5 Q&A

This panel brings a unique set of voices actively engaged in various aspects of the recovery process to discuss ongoing uncertainties in the recovery pathway to share perspectives on current challenges and next steps.

09:15 -10:00 AM

May 20th, 2025

Invite-only event

Symposium
**(re)building with
Resilience**

STEADFAST LA



Najla Kayyem
Executive Director

Video and Presentation on Actions

Steadfast LA is committed to rebuilding Los Angeles with a strategic, structured, and results-driven plan focused on five core pillars: infrastructure, rebuilding, community, communication, and resilience. Steadfast LA exists to accelerate the rebuilding of LA by cutting through bureaucracy, mobilizing expertise, and delivering real solutions with urgency and efficiency. The focus is clear; restore communities, rebuild infrastructure and ensure families and businesses can return home as quickly and safely as possible.

10:00 - 10:15 AM

May 20th, 2025





Moderator: Phil Lafata
SVP Construction
WerkWell Project Services



Felipe Cano
CEO
Community Electricity



Sirisha Chada
Design Director
Swinerton Energy



Julian Parsley
Partner
Buro Happold



Mike Newhouse
Running for State Senate
California State Senate



Panel

Infrastructure Solutions

40 Minutes/5 Q&A

Exploring innovative approaches to rebuilding critical infrastructure with resilience in mind, experts from the energy sectors will discuss next generation infrastructure solutions for water, energy and waste management, telecommunications, and community-based power solutions and sustainable infrastructure models that can better withstand future disasters while meeting community needs.

10:15 - 11:00 AM

May 20th, 2025

Invite-only event

Symposium
**(re)building with
Resilience**

ennead

Ennead creates architecture that shapes the public realm, a principle that has been central to their practice since 1963. The firm is known for diverse projects ranging from museums and performing arts centers to complex laboratory, research and teaching facilities for higher education, as well as large-scale infrastructure projects, urban plans, hotels, and residential and commercial buildings.

11:00 - 11:15 AM

May 20th, 2025

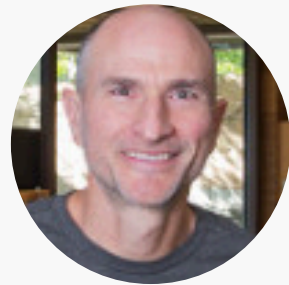




Moderator: Christiana Kyrillou
Architect
Former Principal Woods Bagot



Lucio Sanchez **Green Vista Corporation**
Principal
Green Vista Landscape



Steve Glenn
CEO
Plant PreFab



Simon Ha
Founder & CEO
SH Housing



Willem Swart
Creative Director
The Foothill Catalog



Panel

Designing for Resilience

40 Minutes/5 Q&A

Architecture and construction specialists examine how design choices can create more resilient buildings and communities. The discussion will cover prefabrication, design-build approaches, and architectural innovations that enhance structural integrity while addressing sustainability goals in post-disaster reconstruction.

11:15 AM - 12:00 PM

May 20th, 2025

Invite-only event

Symposium
**(re)building with
Resilience**

Halton

Halton is a family-owned company enabling wellbeing in demanding indoor environments across industries – food service, healthcare, public spaces, marine, offshore and more.

They are a global leader in indoor air solutions, offering innovative and sustainable ventilation systems for demanding environments such as healthcare, professional kitchens, and energy industries.

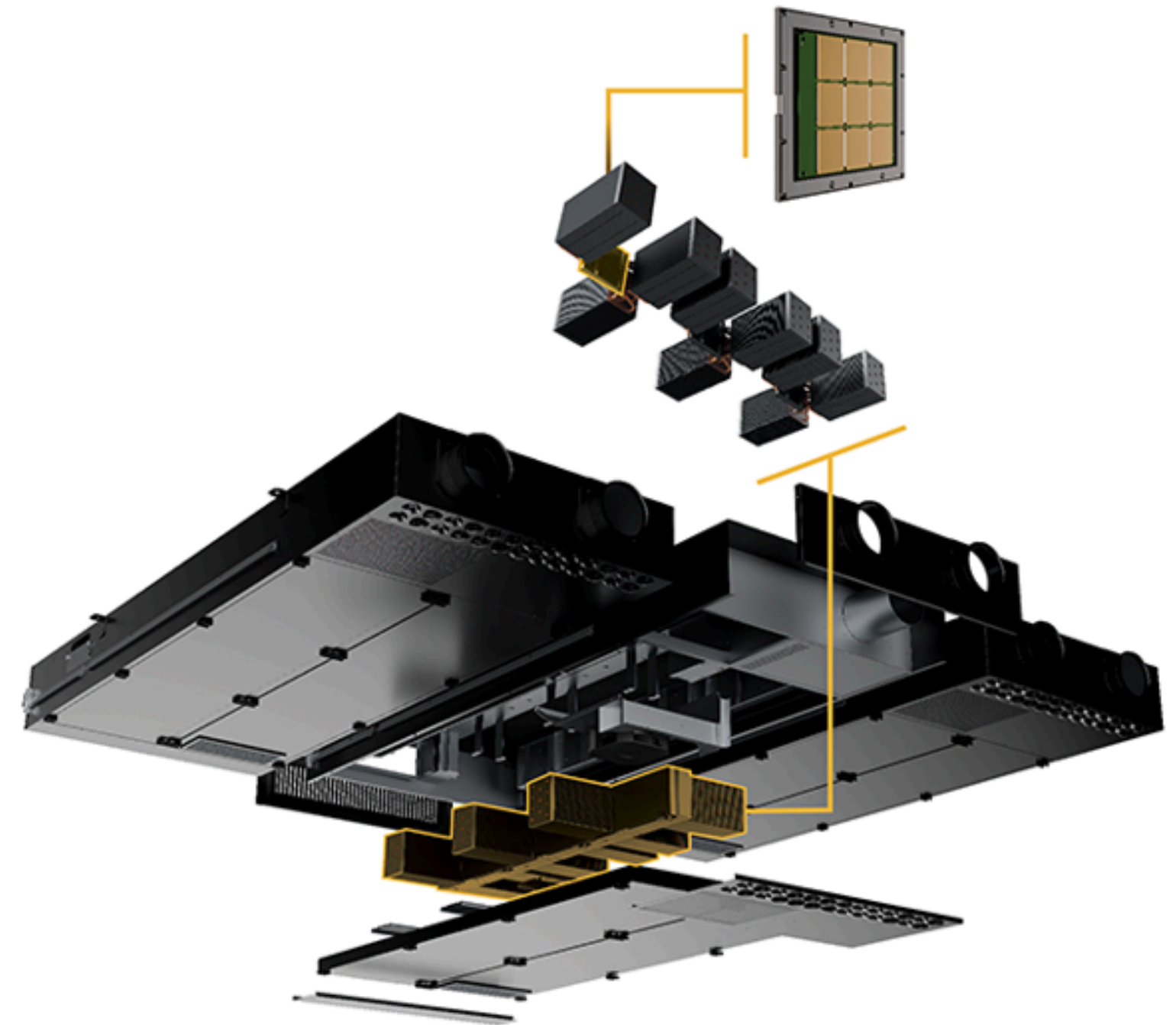
12:00-12:15 AM

May 20th, 2025



**The Global Technology Leader in
Demanding Indoor Air Solutions**

Halton is a family-owned company Enabling Wellbeing in demanding indoor environments across industries – food service, healthcare, public spaces, marine, offshore and more.



LUNCH & NETWORKING

Break

12:15 - 1:15 PM

PMM Program

- 1:15 PM **Fire Hydrant Chat:** Lessons Learned
- 2:00 PM **Company Presentation:** Swinerton
- 2:15 PM **Panel:** Addressing the Financial Gap
- 3:00 PM **Company Presentation:** Foster & Partners / Coen & Partners
- 3:15 PM **Panel:** Building a Systems-based Framework
- 4:20 PM Closing Remarks
- 4:30 PM NETWORKING COCKTAIL HOUR

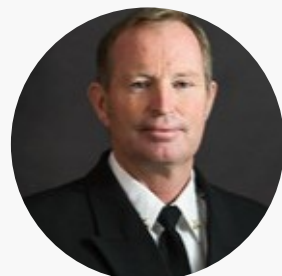
[Visit Event page](#)



Moderator: Gene Eidelman
Managing Director
Azure Printed Homes



Richard Snyder
Fire Marshal
City of Sierra Madre / CAL Fire



Dennis O'Neill
Founder
Wildfire Adapted



Fire Hydrant Chat

Lessons Learned

40 Minutes/5 Q&A

A candid conversation and critical insights from two experts who spent their careers defending our communities from wildfires. This intimate discussion will share valuable experiences about past and recent fires - what worked, what didn't, and how these lessons can inform both ongoing recovery efforts and preparation for future disasters.

1:15 - 2:00 PM

May 20th, 2025

Invite-only event

Symposium (re)building with Resilience



Since its inception in 1888, Swinerton has operated as a national construction company on the cutting edge of innovation, maintaining accountability and integrity. With 23 regional offices across the United States, the company's ability to respond to unique project challenges, regardless of size, location, or complexity, is how Swinerton provides peace of mind to its clients.

Timberlab officially launches to market, delivering the full lifecycle of a mass timber project from inception to installation. With primary operations in the Pacific Northwest and the Southeast, Timberlab has grown to serve clients from coast to coast on projects such as the high-profile Ascent in Milwaukee, WI.

2:00 - 2:15 PM

May 20th, 2025





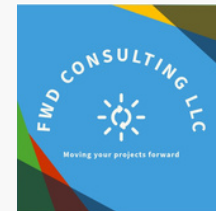
Moderator: Jerry Neuman
Partner
DLA Piper



Jeff Simonetti
Founder
The Aqua Exchange



Felicia Williams
President & CEO
FWD Consulting



Andrew Clark
President, Southern California
Build Group Inc



Reva Feldman
Strategic Advisor
After the Fire



Panel

Addressing the Financial Gap

40 Minutes/5 Q&A

This session tackles the economic challenges of disaster recovery, including insurance coverages, funding shortfalls, and financial barriers to rebuilding. Representatives across sectors will discuss innovative financing solutions to support comprehensive community reconstruction, while ensuring long-term resiliency of both homes and infrastructure.

2:15 - 3:00 PM

May 20th, 2025

Invite-only event

Symposium
**(re)building with
Resilience**

Foster + Partners

Foster & Partners believes that good, responsible design is only possible with significant contributions from different disciplines. This approach allows the firm to rapidly explore a wide range of solutions from many points of view. Their architectural teams design and deliver projects from the earliest sketch through to strategic design, construction drawings and completion. These teams work closely with specialist design teams throughout the process to deliver an integrated vision.

COEN + PARTNERS

Based in Minneapolis and Riyadh, Coen+Partners expands on the idea of local. Led first by the landscape, we aim to create spaces marked by transformation, wonder, and care. Through bold, intentional design and an emphasis on abstraction, iteration, and refinement, our vision celebrates place and creates space to breathe. Mediating between terrain, longevity, and cultural patterns while engaging with community identity is always front of mind for our practice.

3:00 - 3:15 PM

May 20th, 2025



Moderator: Jennifer Koster
CEO
WerkWell



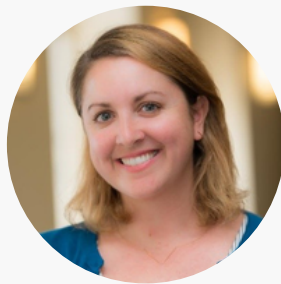
Brian Wickersham
Principal
AUX Architecture



Marc Guberman
Partner
Foster & Partners



McKenzie Wilhelm
Partner
Coen+Partners



Sabrina Bornstein
Principal
Buro Happold



Panel

Building a Systems-based Framework

50 Minutes/15 Q&A

The final panel explores holistic approaches to disaster recovery that integrate circular economy principles, sustainability, and community resilience. Led by WerkWell CEO Jennifer Koster, this discussion will examine frameworks for coordinating multiple stakeholders and systems to create more integrated, effective recovery and rebuilding strategies.

3:15 - 4:20 PM

May 20th, 2025

Invite-only event



Jennifer Koster
CEO
WerkWell

WERKWE^{LL}

Networking

Closing Remarks & Next Steps

10 Minutes

Continuing the Conversation & Collaborative Opportunities

04:20 – 04:30 PM

May 20th, 2025

[Visit Event page](#)

NETWORKING

Cocktails

4:30 - 5:30 PM

Symposium

(re)Building for Resilience



→ Thank you
for attending!

Powered by:

WERKWE^{LL}

BURO HAPPOLD